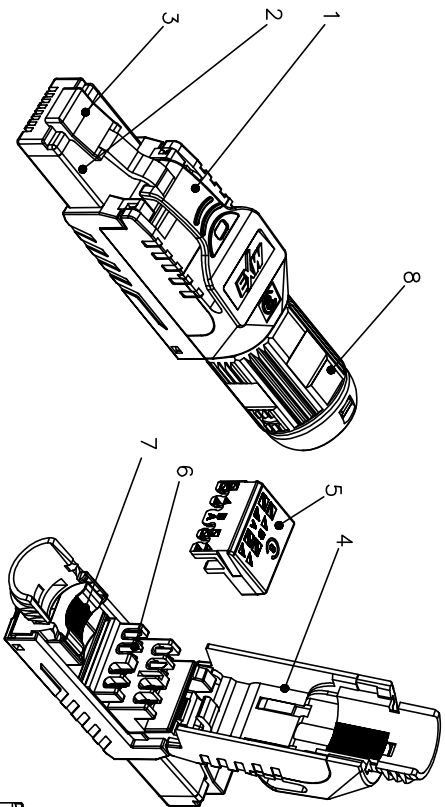
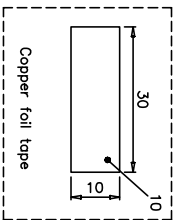
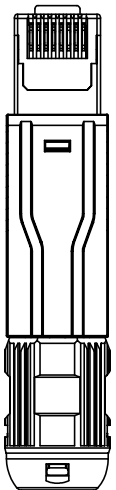
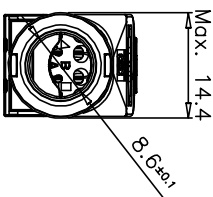
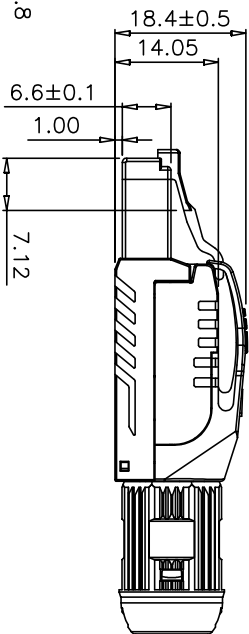
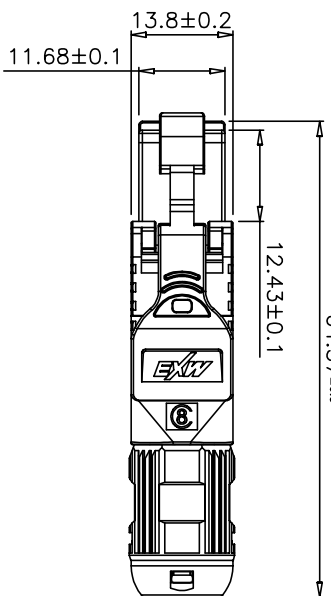
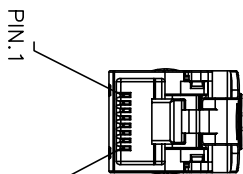


更改	REV	日期	内容	修改
2017/08/21	A	2017/08/21	MODIFICATION	DRAWN



SCALE 1/1



- Specification :
- Material :
1. Extractor : PC, UL 94V-2, optons color.
  2. Housing : Zinc die-casting with nickel plated.
  3. RJ45 plug :
  - 3-1. Housing : PC, UL 94V-2, black color.
  - 3-2. Contact material : Phosphor bronze with 100 micro-inch nickel plated.
  - 3-3. Contact finish : Min. 50 micro-inch gold plated on surface contact area.
  4. Cover : Zinc die-casting with nickel plated.
  5. Wire management bar : PC, white color, UL 94-V2.
  6. IDC :
  - 6-1. Housing : PC, white color, UL 94-V2.
  - 6-2. Terminal : Titanium copper with tin plated.
  7. Grounding contact : Zinc die-casting with nickel plated.
  8. Boot :
  - 8-1. Housing : Zinc die-casting with nickel plated.
  - 8-2. SR : PC, UL 94V-2, black color.
  - 8-3. CAP : PC, UL 94V-2, black color.
  9. PCB, UL 94-V0.
  10. Copper foil tape.
- Performance :
- a. T568A & T568B wiring.
  - b. Insertion force : 30N<sub>max.</sub> (IEC 60603-7).
  - c. Retention strength : 7.7 Kg between jack and plug.
  - d. Operating temperature : -10°C to 60°C; (ISO/IEC 11801, ANSI/TIA 568 C.2).
  - e. Life (mating cycles) :
    - e-1. 750 cycles min. (ISO/IEC 11801, IEC 60603-7).
    - e-2. IDC : Suitable for 23-26AWG stranded and solid wire, min. 20 installation cycles.
    - f. Suitable for cable jacket OD : 7.0-8.5mm.



客户产品图

		<b>宁波卓新通讯配件有限公司</b> NINGBO EXCELLENCE COMMUNICATED CONNECTOR CO.,LTD	
DIMENSION IN mm (Inch)		图号	
TOLERANCE UNLESS OTHERWISE SPECIFIED		EX111-FPS-C8-FS(S03)	
X±0.1	X°±5°	名称	
.XX±0.05	.XX°±2°	3J01-K01-00002	
审核	核准	制图	比例
沈红波	钟均江	Cathylli	2/1
		角差	张数
		PROJ.	更改
			1/1
			A

ST-DR-009A